

P:\2014\14-190-000 Henrietta EMS and Library\CD's\A-2.1.dwg, Plotted By: mpatterson, Plotted: Oct. 07, 2014 - 12:32pm

FINISH SCHEDULE								
NO.	ROOM NAME	FLOOR	BASE	WALL MAT.	WALL FINISH	TRIM FINISH	CEILING FINISH	COMMENTS
101	DAY ROOM	CONC-2	VB-1	GB-1	EGGSHELL	ENAMEL	ACT-1	
102	KITCHEN	CONC-2	VB-1	GB-1	EGGSHELL	ENAMEL	ACT-1	SEE NOTE 5 ON FLOOR PLAN
103	MEETING	CONC-2	VB-1	GB-1	EGGSHELL	ENAMEL	ACT-1	
104	STORAGE	CONC-2	VB-1	GB-1	EGGSHELL	ENAMEL	ACT-1	
105	MED. STORAGE	CONC-2	VB-1	GB-1	EGGSHELL	ENAMEL	ACT-1	
106	HVAC	CONC-2	VB-1	GB-1	EGGSHELL	ENAMEL	NO CEILING	
107	IT	CONC-2	VB-1	GB-1	EGGSHELL	ENAMEL	NO CEILING	
108	HALL	CONC-2	VB-1	GB-1	EGGSHELL	ENAMEL	ACT-1	
109	BED ROOM	CONC-2	VB-1	GB-1	EGGSHELL	ENAMEL	ACT-1	
110	BATH ROOM	CT-1	VB-1	GB-2	EPOXY EGGSHELL	ENAMEL	ACT-2	DROP CONC. SLAB FOR FLUSH THRESHOLD @ SHOWER
111	BED ROOM	CONC-2	VB-1	GB-1	EGGSHELL	ENAMEL	ACT-1	
112	BED ROOM	CONC-2	VB-1	GB-1	EGGSHELL	ENAMEL	ACT-1	
113	BATH ROOM	CT-1	VB-1	GB-2	EPOXY EGGSHELL	ENAMEL	ACT-2	DROP CONC. SLAB FOR FLUSH THRESHOLD @ SHOWER
114	BED ROOM	CONC-2	VB-1	GB-1	EGGSHELL	ENAMEL	ACT-1	
115	BAYS	CONC-1	NA	GB-3	EPOXY EGGSHELL	ENAMEL	GYP-3	PAINT CEILING w/ EPOXY EGGSHELL

Grand total: 16

NOTES:

1. DO NOT PUT ANY SEALER ON CONCRETE FLOORS EXCEPT AS SPECIFIED IN SECTION 09123 - INTERIOR PAINTING, ARTICLE 2.1. ALLOW CONCRETE TO CURE TIME REQUIRED BY STAIN MFG.

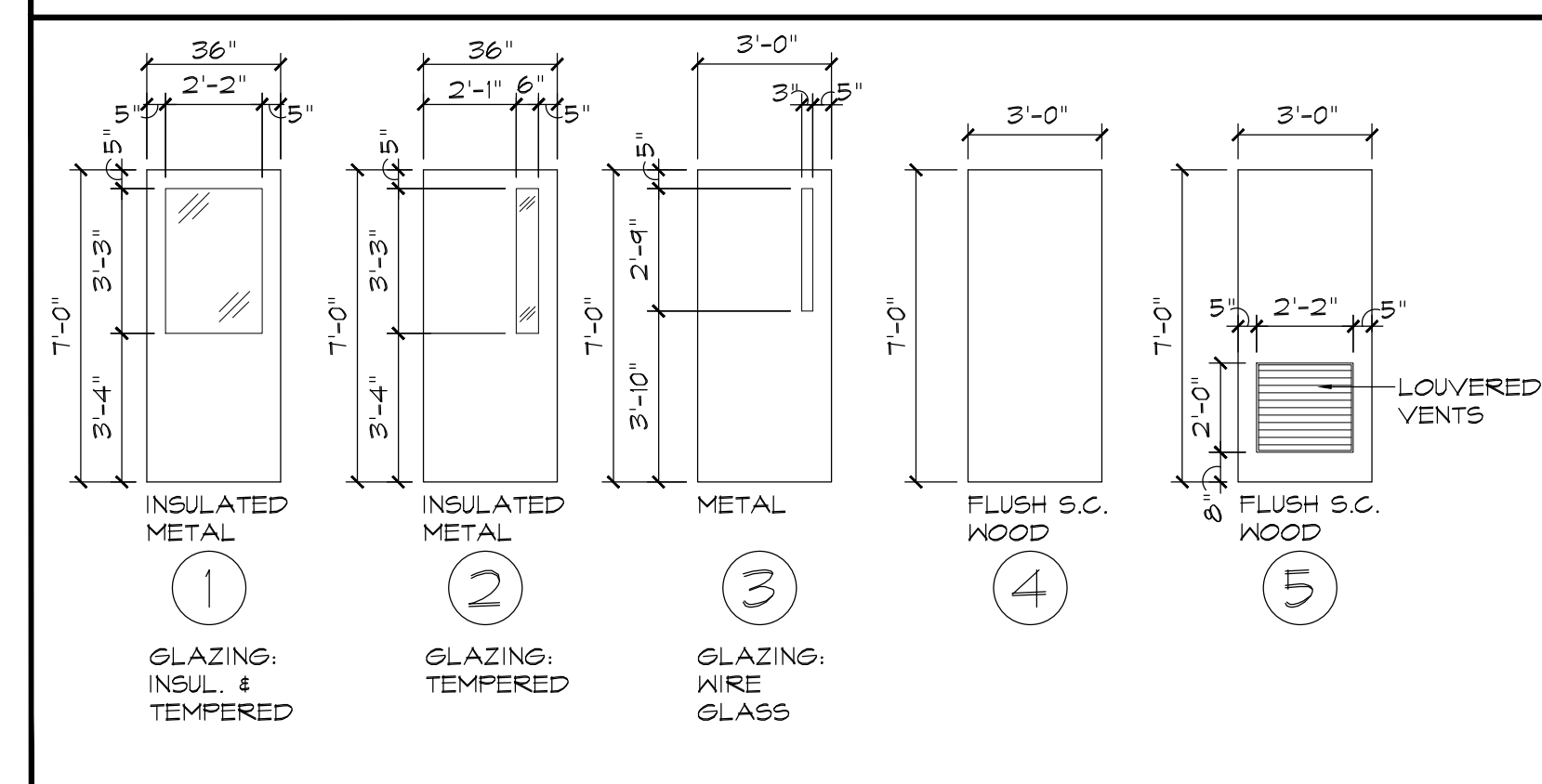
FINISH LEGEND	
FLOOR:	
CONC-1:	STAINED CONCRETE, TYPE 1
CONC-2:	STAINED CONCRETE, TYPE 2
CT-1:	THIN SET 8"x8" CERAMIC TILE
WALLS:	
GB-1:	5/8" GYP. BOARD - FIRE RATED
GB-2:	5/8" MOISTURE RESISTANT GYP. BOARD
GB-3:	5/8" HI-IMPACT GYP. BOARD - FIRE RATED
BASE:	
VB-1:	4" RUBBER BASE BY ROPPE OR APPROVED EQUAL
CEILING:	
ACT-1:	ACOUSTICAL CEILING TILE, TYPE 1
ACT-2:	VINYL ACOUSTICAL CEILING TILE, TYPE 2 (VINYL)
GYP-1:	5/8" HIGH IMPACT FIRE RATED GYP BOARD w/ EPOXY EGGSHELL FINISH

DOOR SCHEDULE								
NO.	ROOM NAME	SIZE	DOOR TYPE	FRAME/ELEV.	FRAME MAT'L	RATING	DET.	REMARKS
101	COVERED ENTRY	3'-0" X T-0"	1	A	H.M.	-	5/A-2.1	--
103	MEETING	3'-0" X T-0"	1	A	H.M.	-	5/A-2.1	--
104	STORAGE	3'-0" X T-0"	4	A	H.M.	-		--
105	MED STORAGE	3'-0" X T-0"	4	A	H.M.	-		--
106	HVAC	3'-0" X T-0"	4	A	H.M.	-		--
107	IT	3'-0" X T-0"	4	A	H.M.	-		--
108	HALL	3'-0" X T-0"	3	A	H.M.	45 MIN.		DOOR CLOSURE/THRESHOLD SIM. TO 5/A-2.1
109	BEDROOM #109	3'-0" X T-0"	4	A	H.M.	-		--
110A	BATHROOM #110	3'-0" X T-0"	4	A	H.M.	-	6/A-2.1	--
110B	BATHROOM #110	3'-0" X T-0"	4	A	H.M.	-	6/A-2.1	--
111	BEDROOM #111	3'-0" X T-0"	4	A	H.M.	-		--
112	BEDROOM #112	3'-0" X T-0"	4	A	H.M.	-		--
113A	BATHROOM #113	3'-0" X T-0"	4	A	H.M.	-	6/A-2.1	--
113B	BATHROOM #113	3'-0" X T-0"	4	A	H.M.	-	6/A-2.1	--
114	BEDROOM #114	3'-0" X T-0"	4	A	H.M.	-		--
115	BAYS	3'-0" X T-0"	2	A	H.M.	-		EXIT DOOR w/ TEMPERED GLASS & WS.
115A	BAYS	12'-0" X 14'-0"	-	-	MANUF.	-		NOTE 3
115B	BAYS	12'-0" X 14'-0"	-	-	MANUF.	-		NOTE 3
115C	BAYS	12'-0" X 14'-0"	-	-	MANUF.	-		NOTE 3
115D	BAYS	12'-0" X 14'-0"	-	-	MANUF.	-		NOTE 3

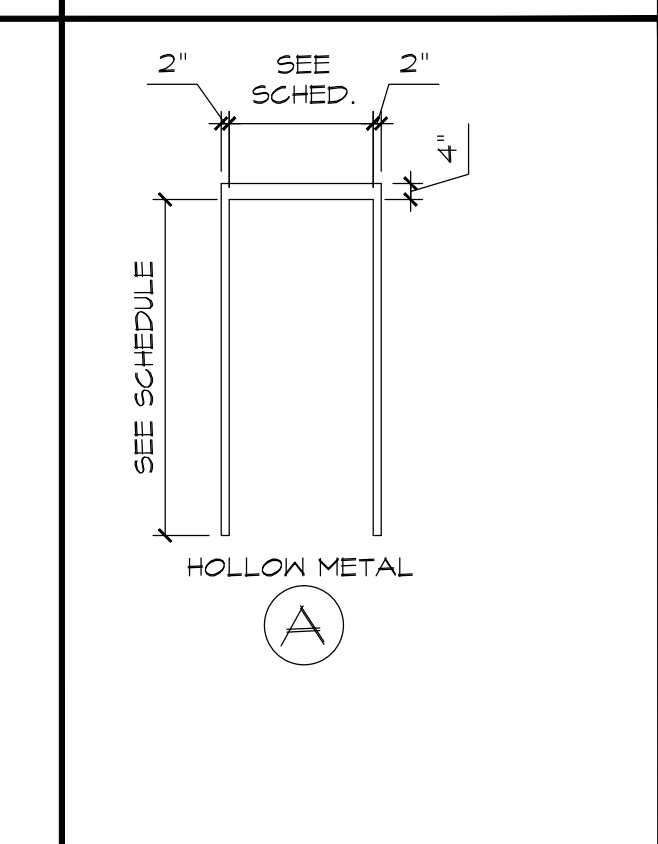
DOOR SCHEDULE NOTES

- SEE SPECIFICATIONS FOR HARDWARE
- ALL HOLLOW METAL FRAMES SHALL WRAP WALL EXCEPT EXTERIOR FRAMES SHALL BE 8-3/4" DEEP
- SEE SPECIFICATIONS FOR OVERHEAD SECTIONAL DOORS. SIZES LISTED ARE MIN. CLEAR OPENINGS, VERIFY EXACT SIZES ON JOB

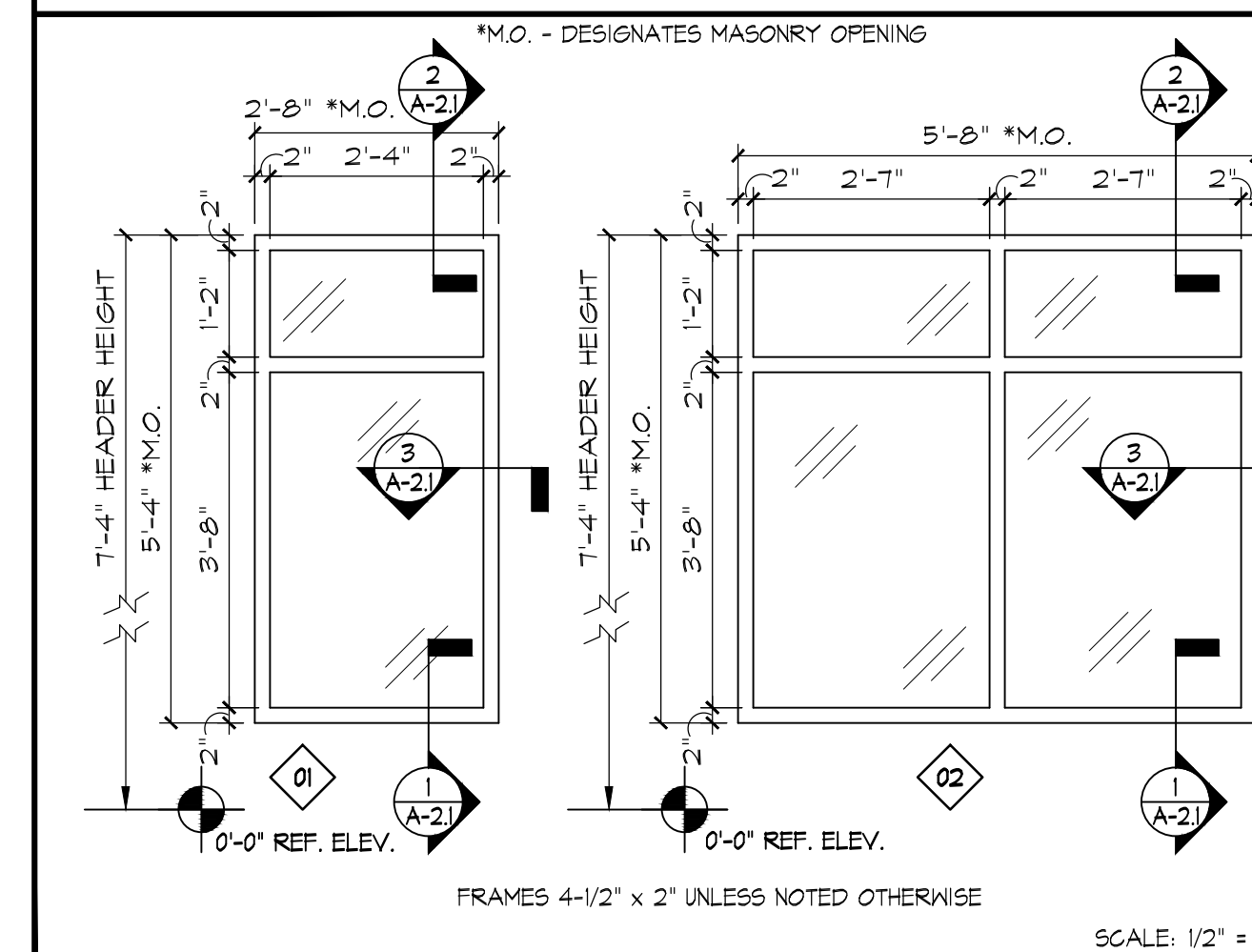
DOOR TYPES



FRAME TYPES

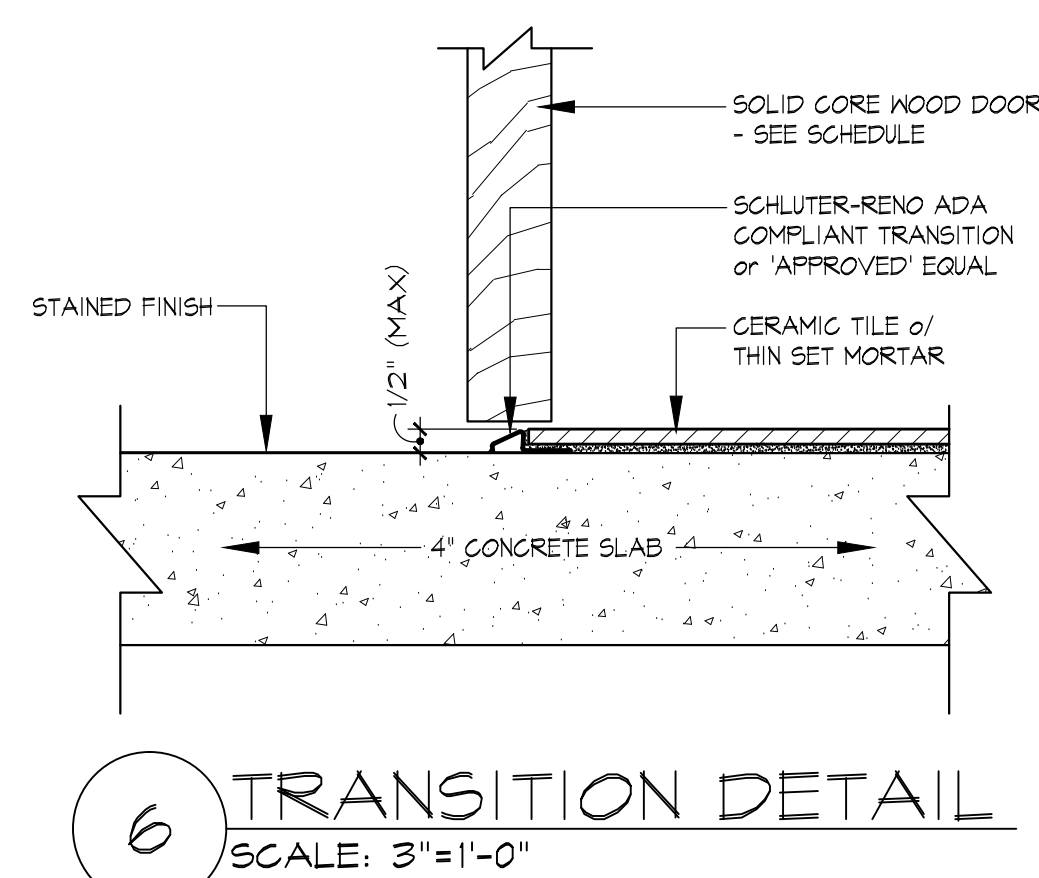


STOREFRONT UNIT TYPES

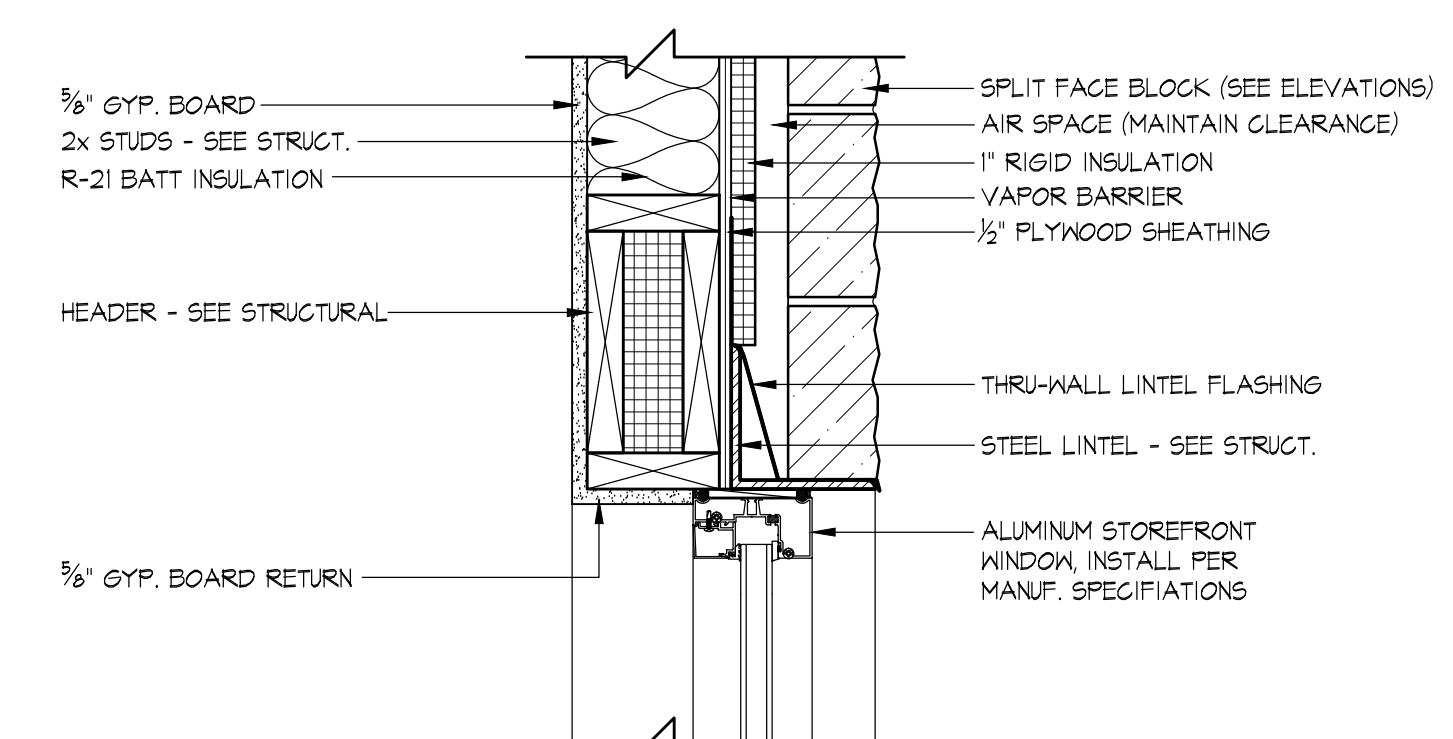


STOREFRONT GLAZING NOTES

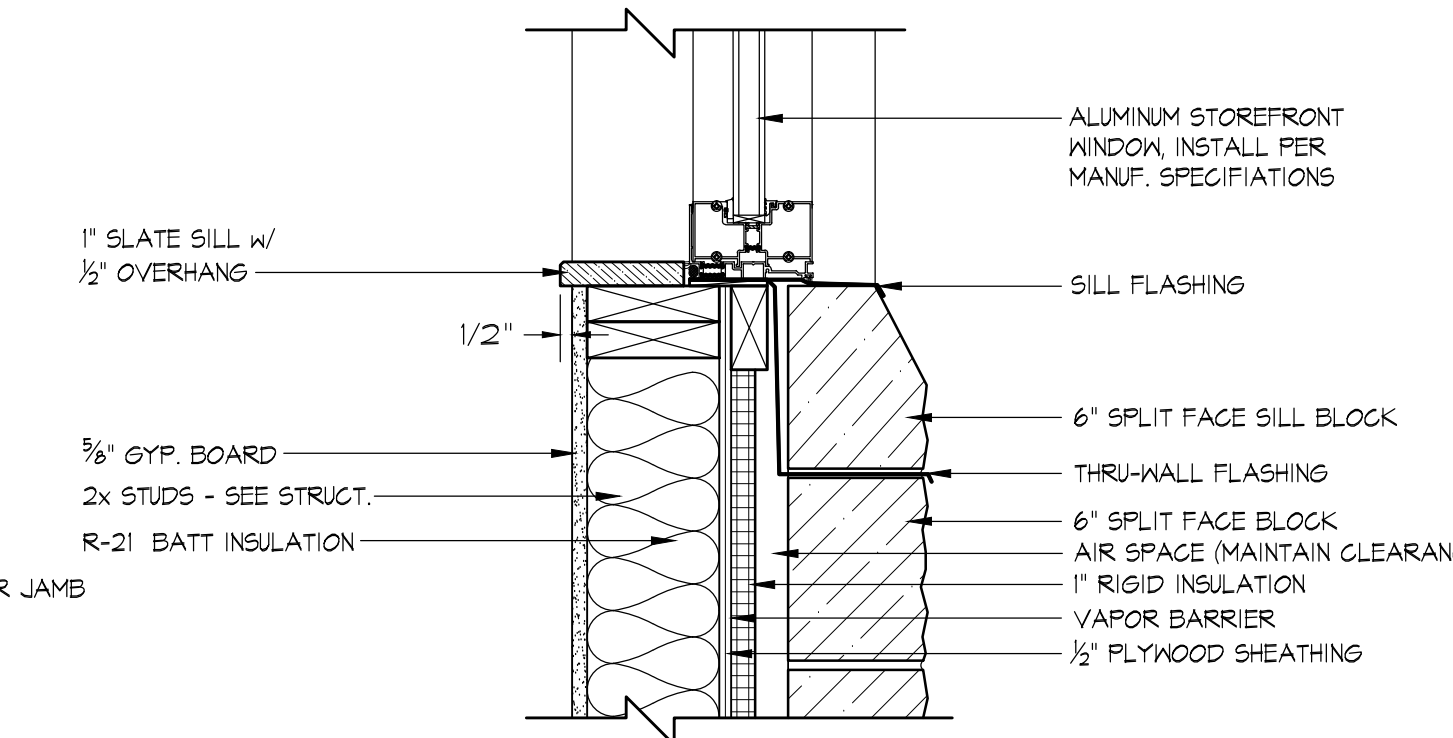
- WINDOW ELEVATIONS INDICATE MASONRY OPENING DIMENSIONS. CONTRACTOR SHALL FIELD VERIFY ALL DIMENSIONS PRIOR TO FABRICATION OR INSTALLATION.
- SAFETY GLAZING SHALL BE PROVIDED AS INDICATED OR WHERE REQUIRED BY APPLICABLE PROVISIONS OF BUILDING CODE. SEE NOTE 'A' ON FLOOR PLAN.
- STOREFRONT SYSTEMS PROVIDED SHALL MEET OR EXCEED WIND PRESSURES FOR WIND SPEEDS AS INDICATED ON STRUCTURAL DRAWINGS.



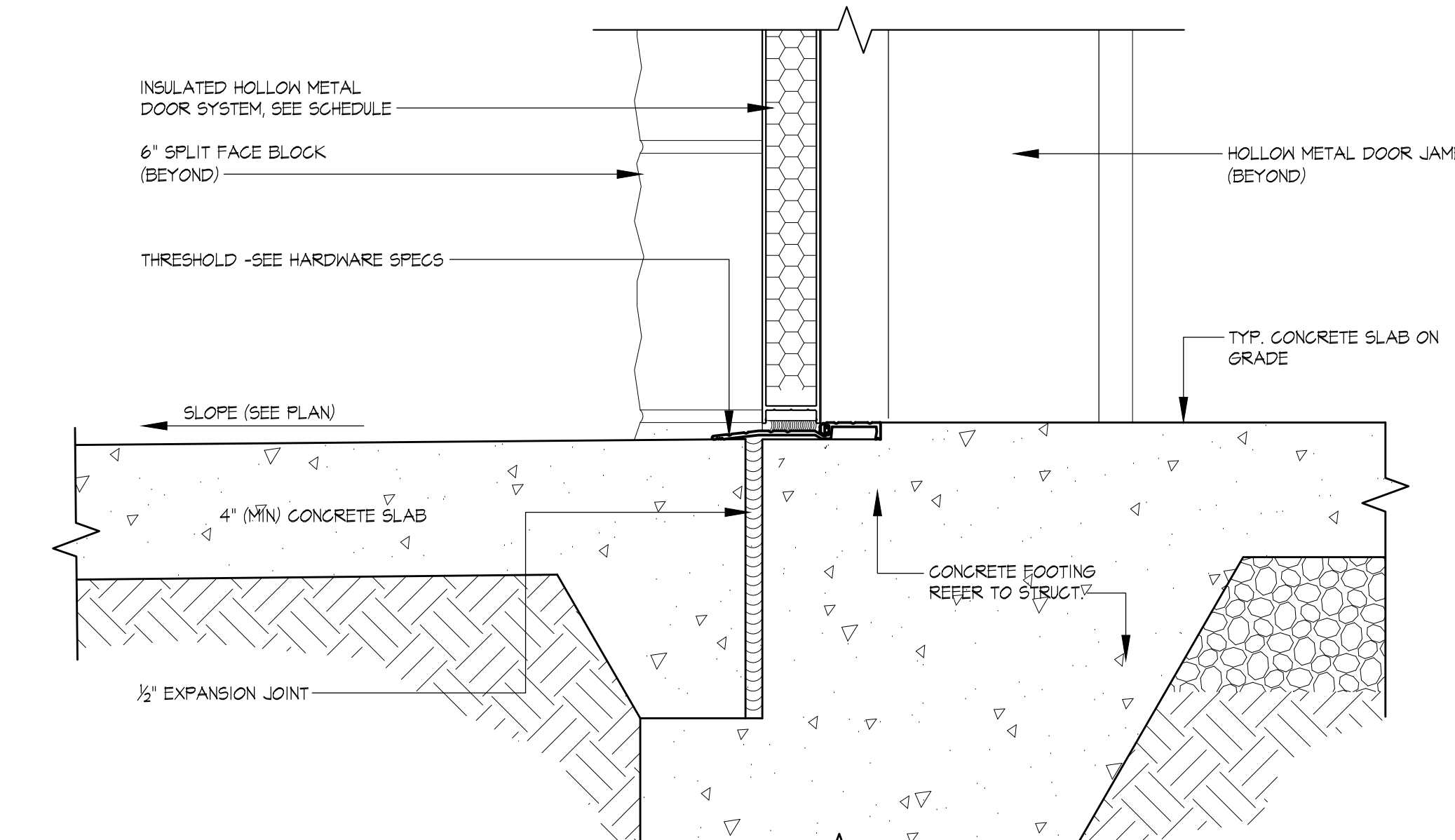
6 TRANSITION DETAIL
SCALE: 3"=1'-0"



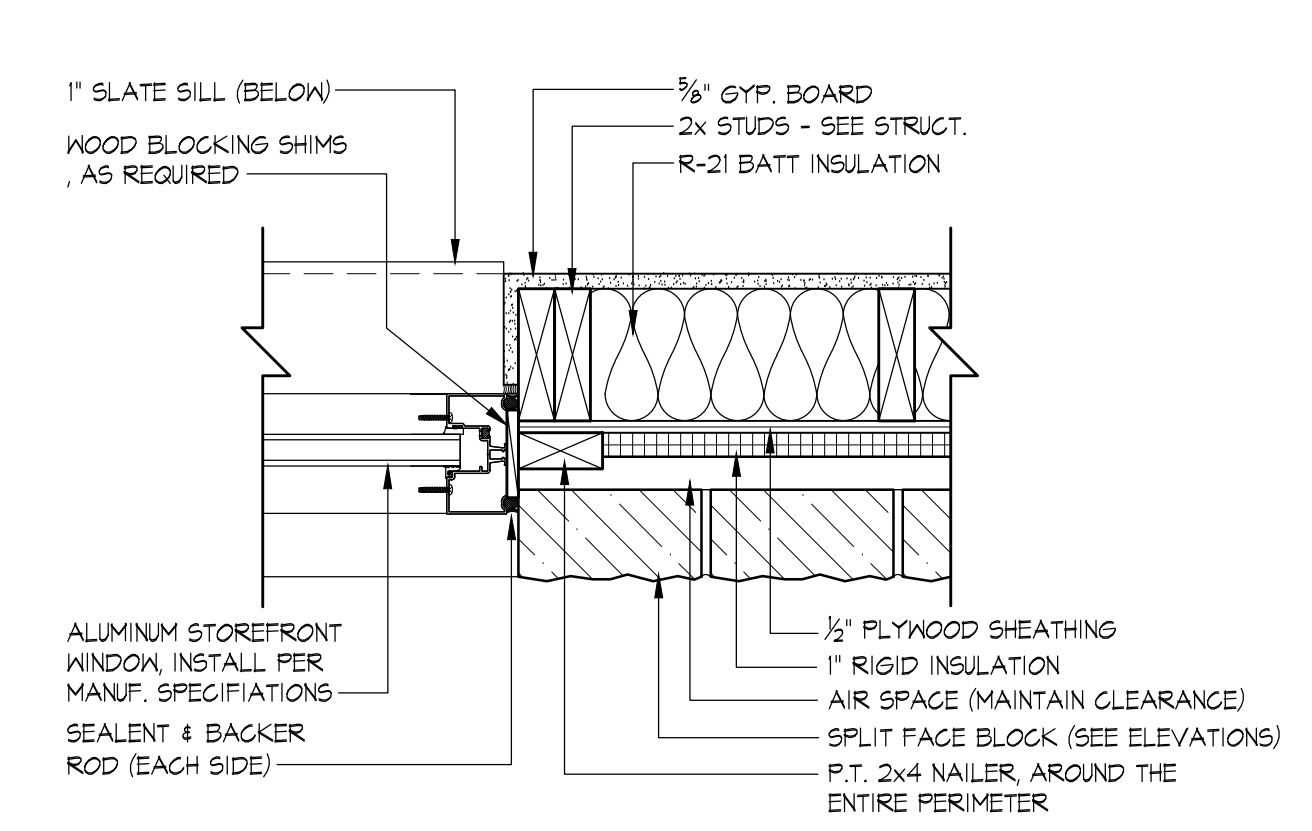
2 HEAD DETAIL
SCALE: 1 1/2"=1'-0"



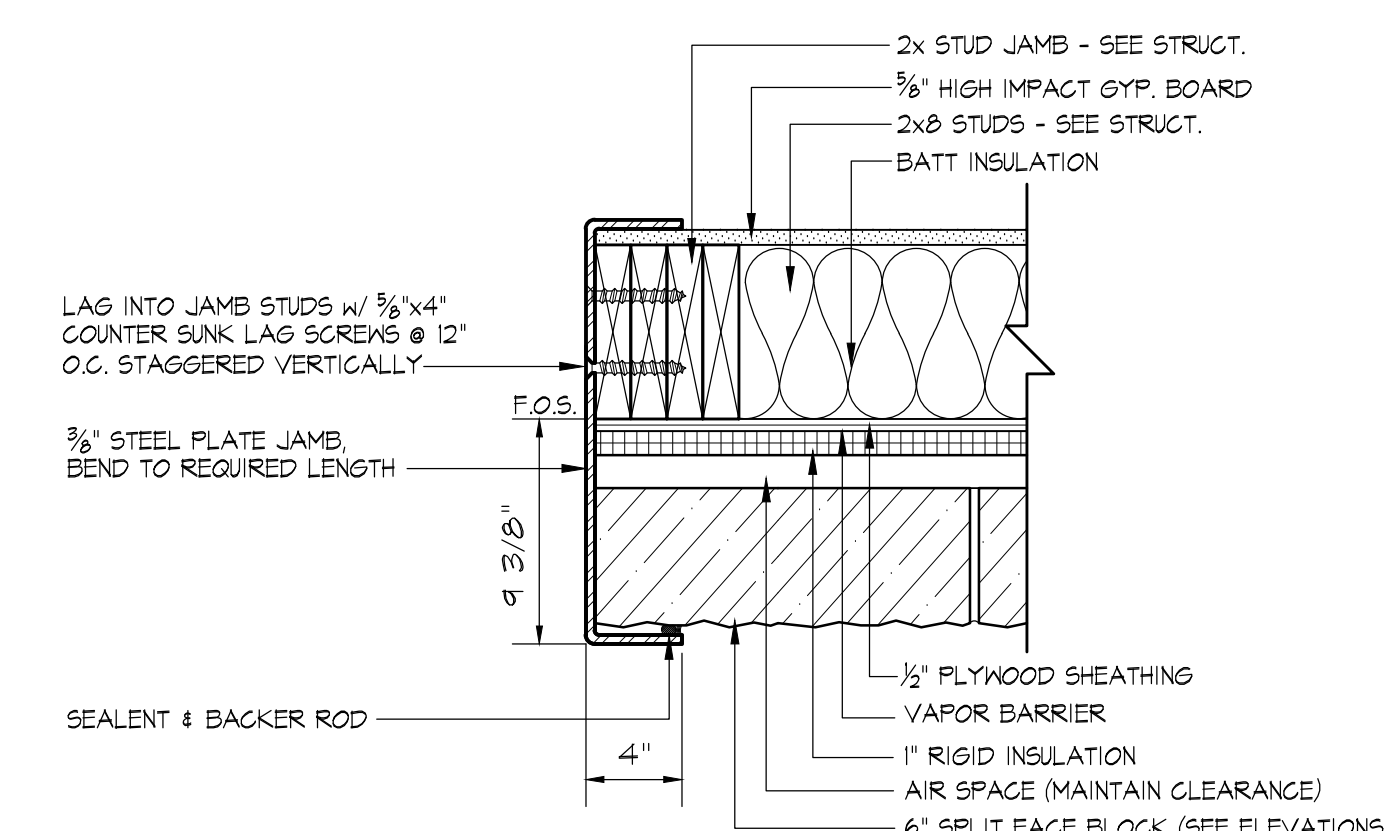
1 SILL DETAIL
SCALE: 1 1/2"=1'-0"



5 THRESHOLD DETAIL
SCALE: 3"=1'-0"



3 JAMB DETAIL
SCALE: 1 1/2"=1'-0"



4 O.H. DOOR JAMB DETAIL
SCALE: 1 1/2"=1'-0"

NEW SOUTHEASTERN EMS
FOR
RUTHERFORD COUNTY
North Carolina

ISSUE DATE: 10-07-14
REVISION 1: --
REVISION 2: --
REVISION 3: --
REVISION 4: --
PROJECT #: 14-190-000
CONTENT: DOOR & WINDOW SCHEDULE, FINISH SCHEDULE
PROJECT ARCHITECT: --
DRAWN BY: SJP
CADD FILE NAME: a-2.1.dwg
THIS DRAWING AND THE DESIGN SHOWN ARE THE PROPERTY OF ESD. THE REPRODUCTION, OR USE OF THIS DRAWING WITHOUT THEIR WRITTEN CONSENT IS PROHIBITED. ANY INFRINGEMENT IS SUBJECT TO LEGAL ACTION.
Sheet
A-2.1

ESD
architecture • interior design
1300 South Mint Street, Suite 300, Charlotte, NC 28203
Email: esd@esdarch.com • Fax: 704-373-0902 • Phone: 704-373-1900