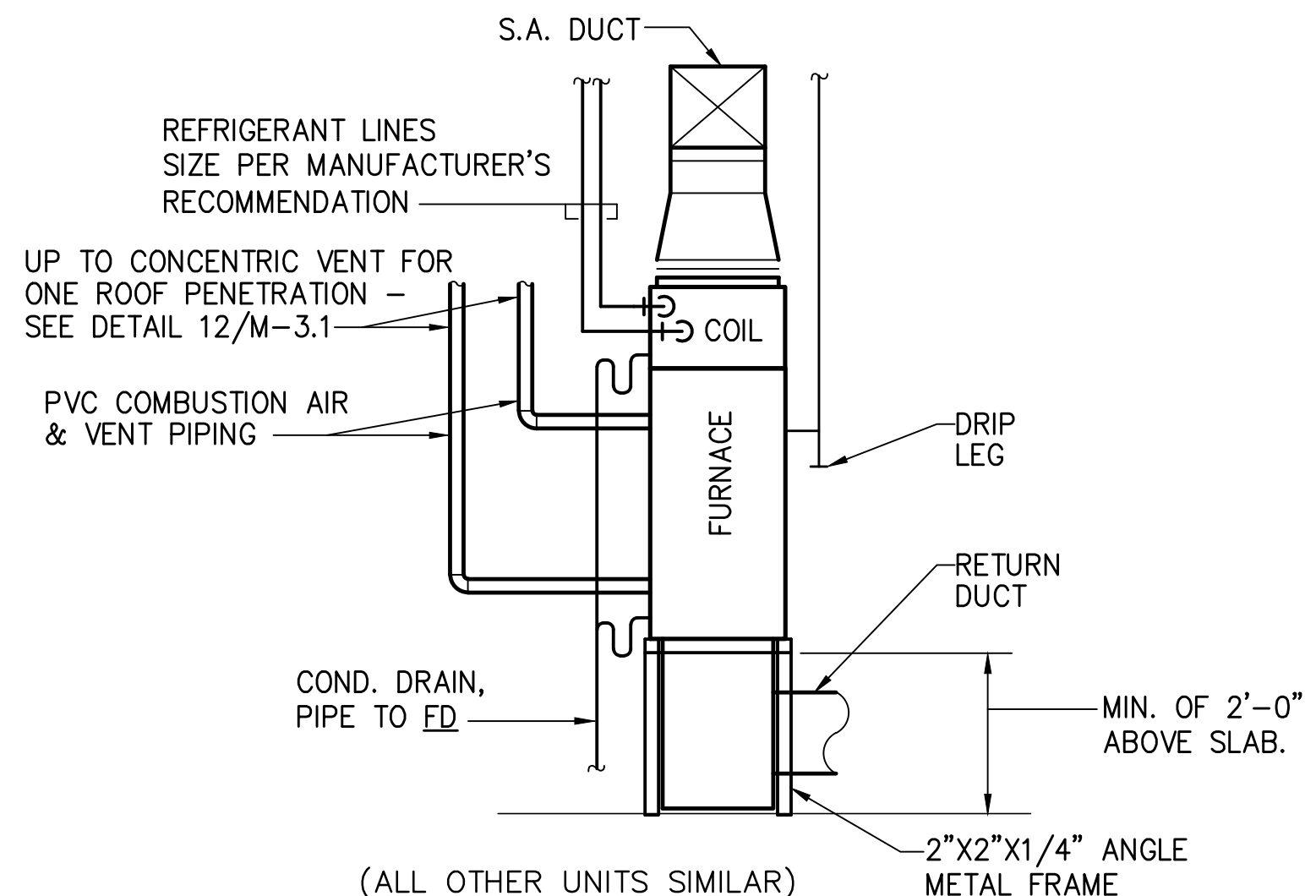
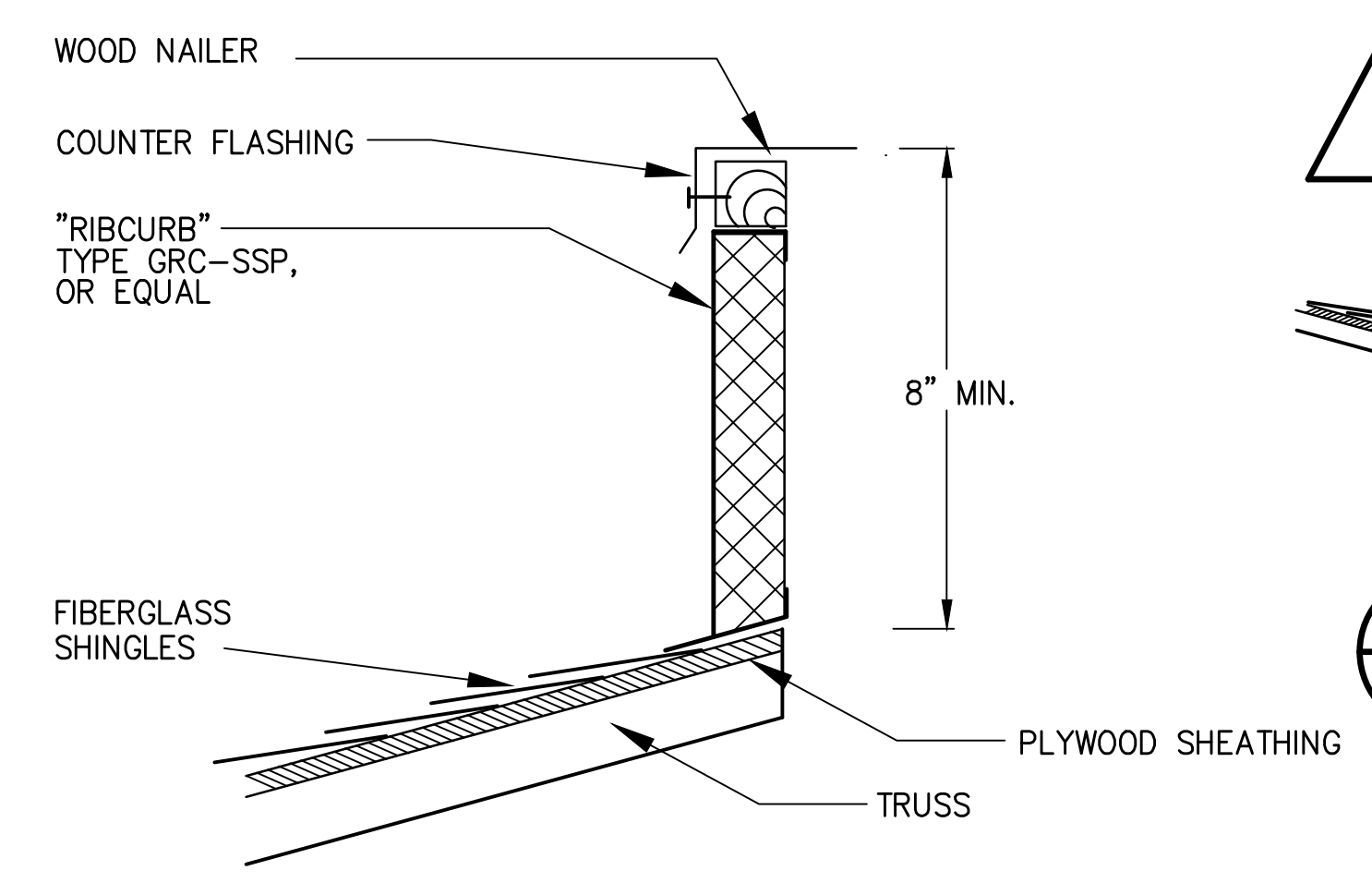


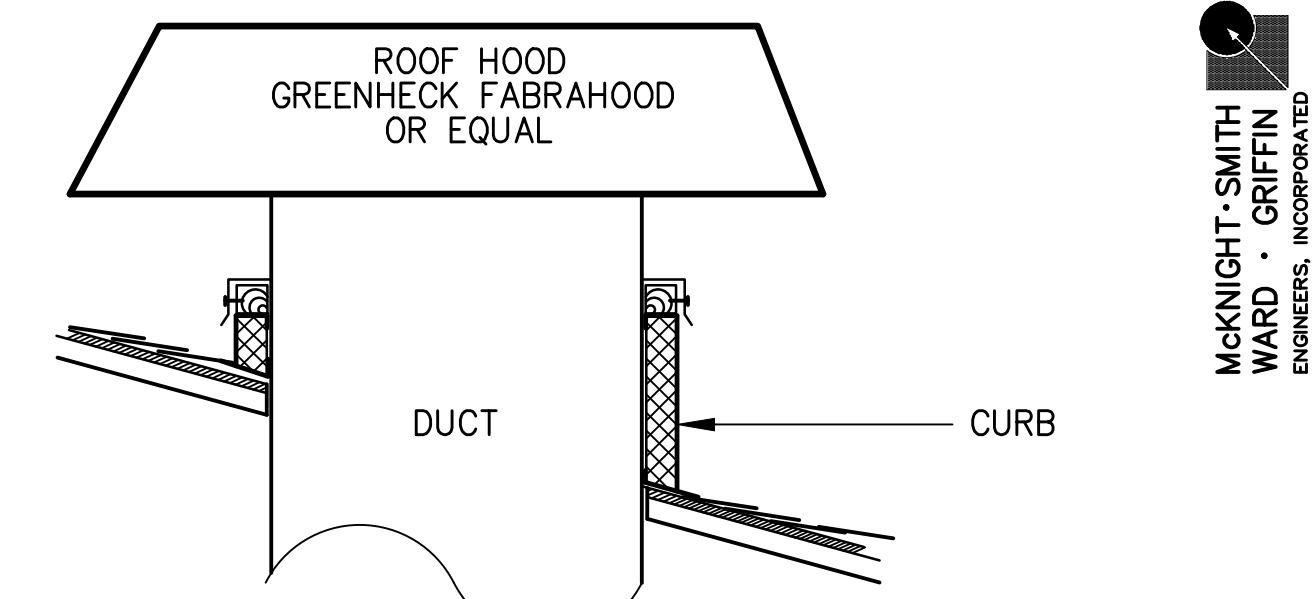
9 ROOF CAP DETAIL
M-3.1 NTS



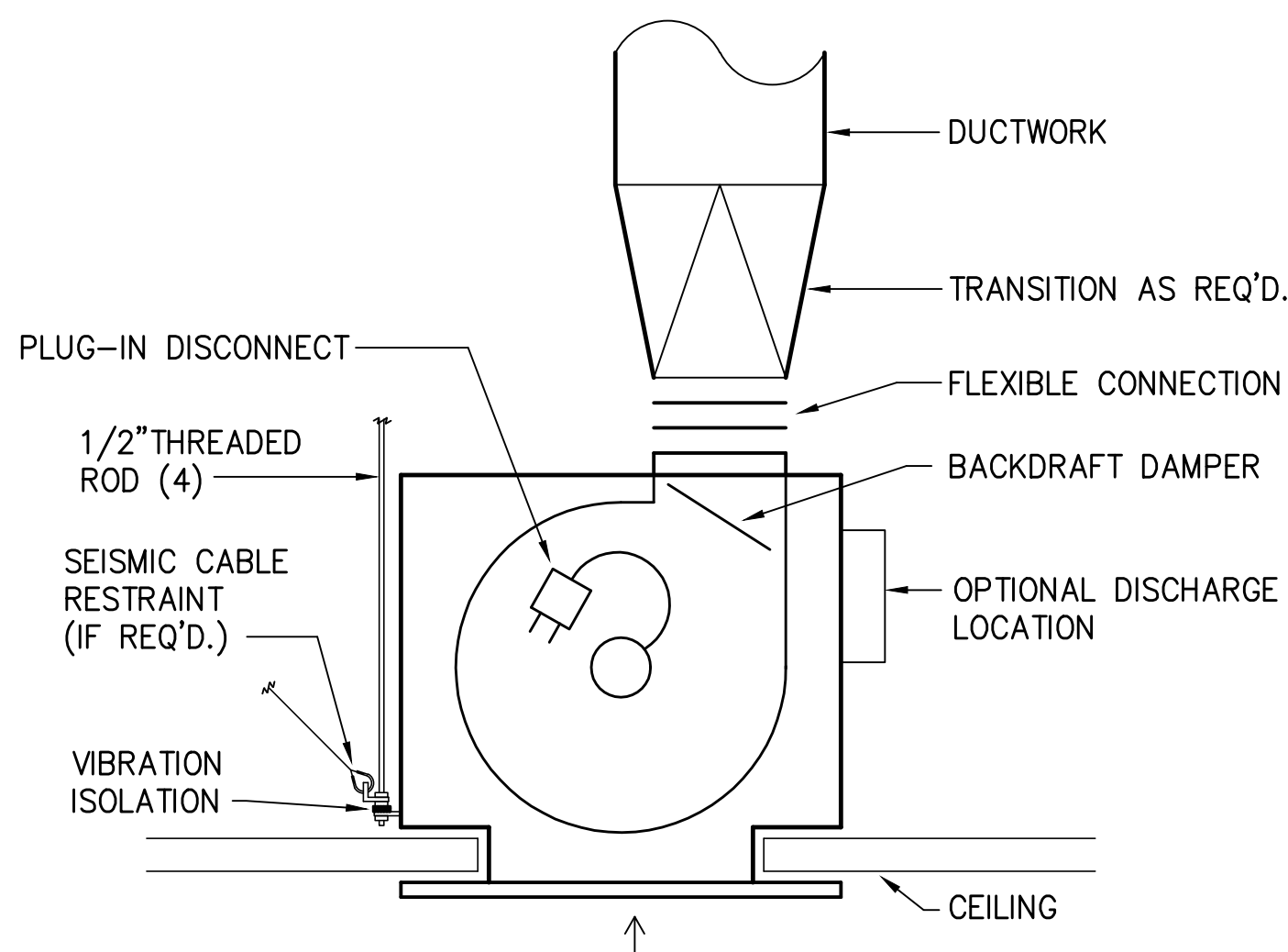
10 SECTION AT TYPICAL FURNACE
M-3.1 NTS



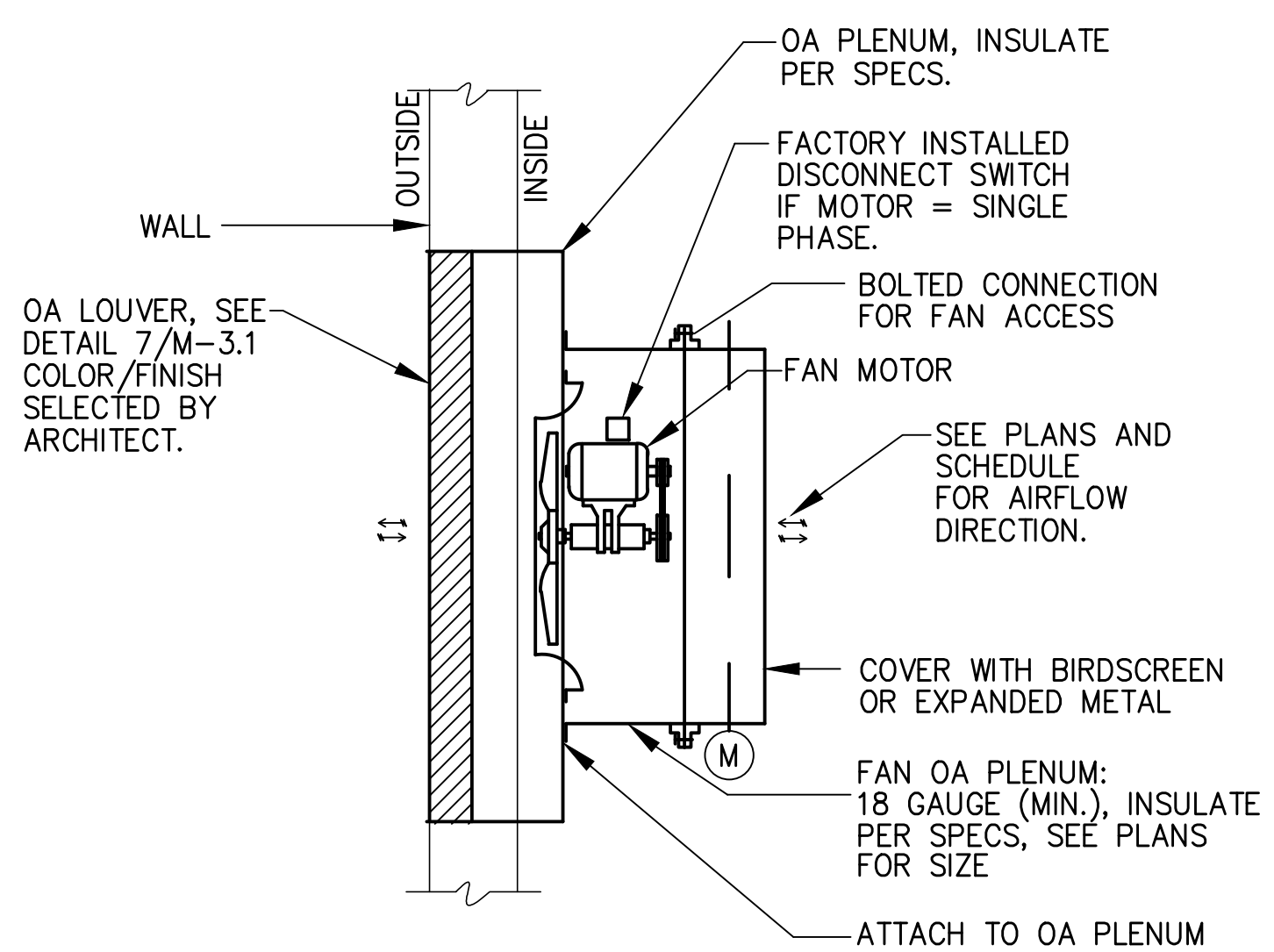
13 PITCHED ROOF CURB DETAIL
M-3.1 NTS



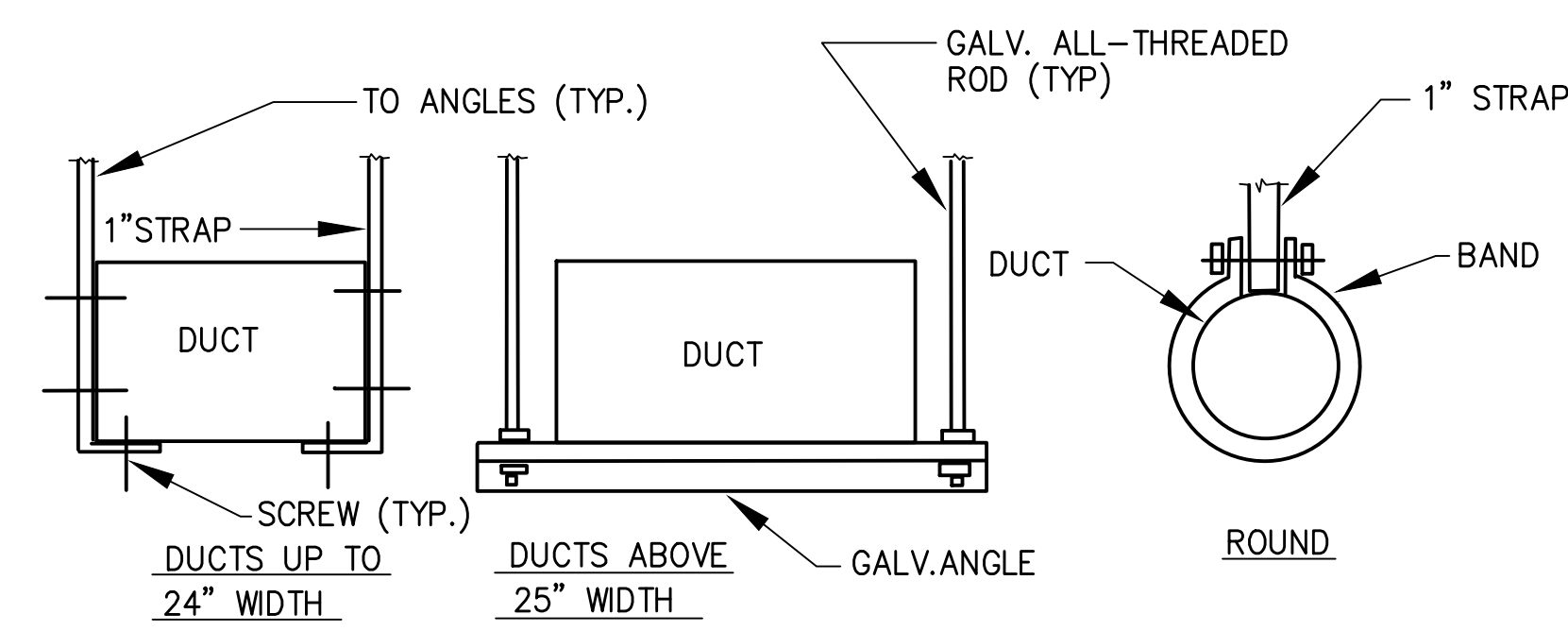
14 ROOF HOOD DETAIL
M-3.1 NTS



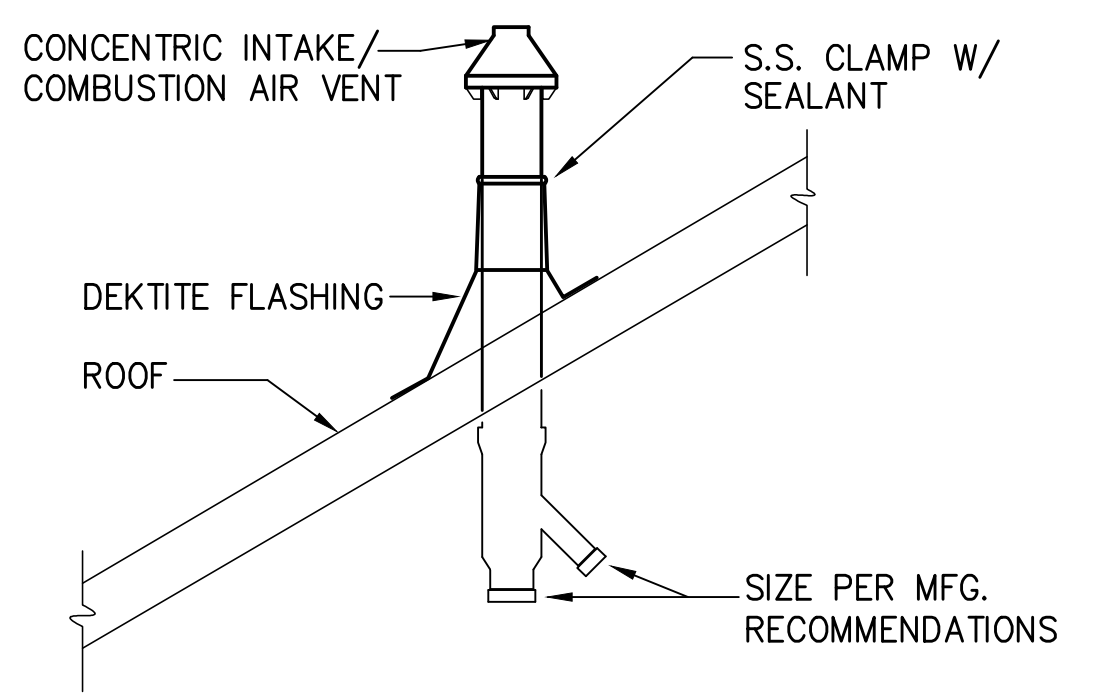
5 CEILING EXHAUST FAN DETAIL
M-3.1 NTS



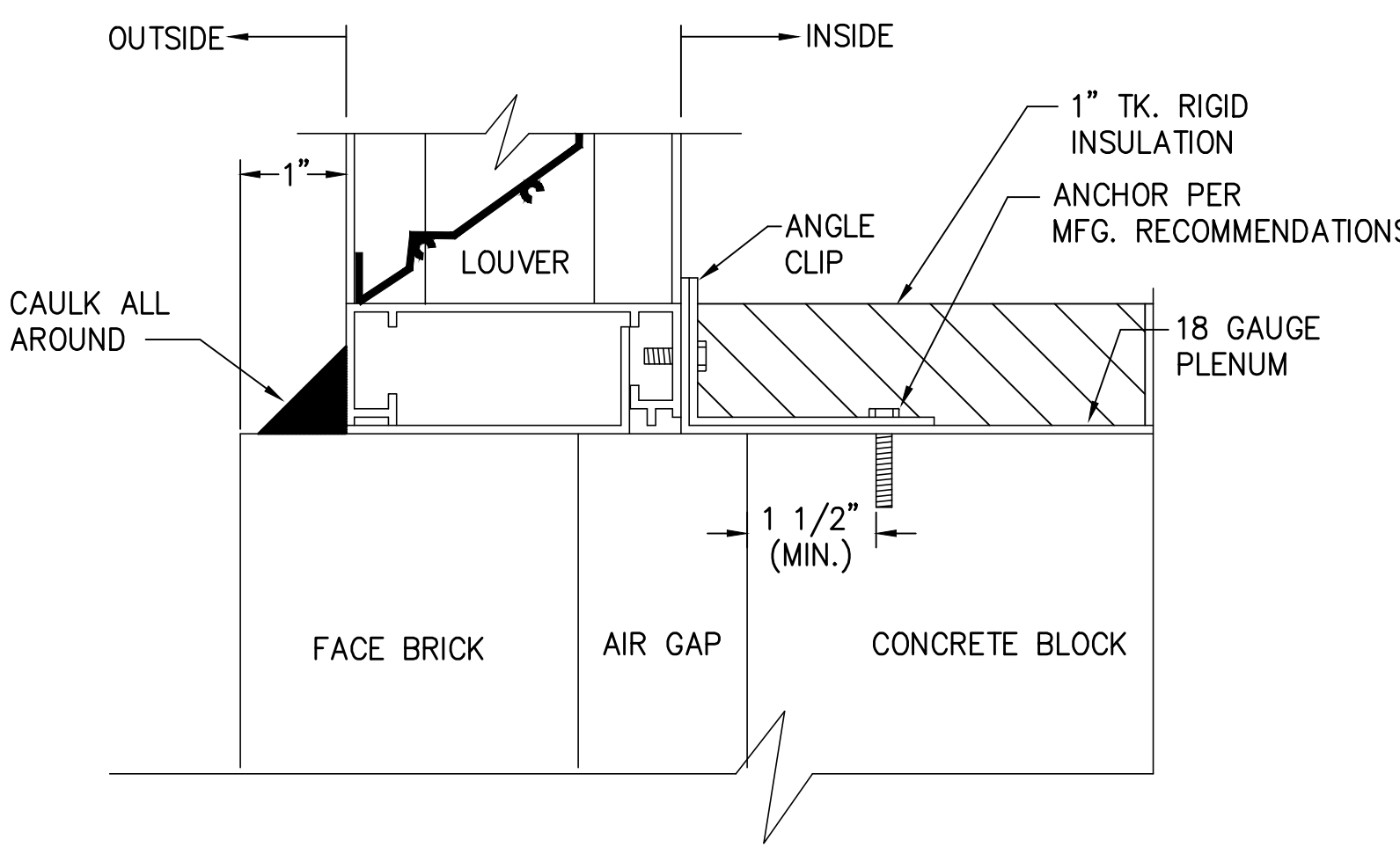
6 PROPELLER FAN DETAIL
M-3.1 NTS



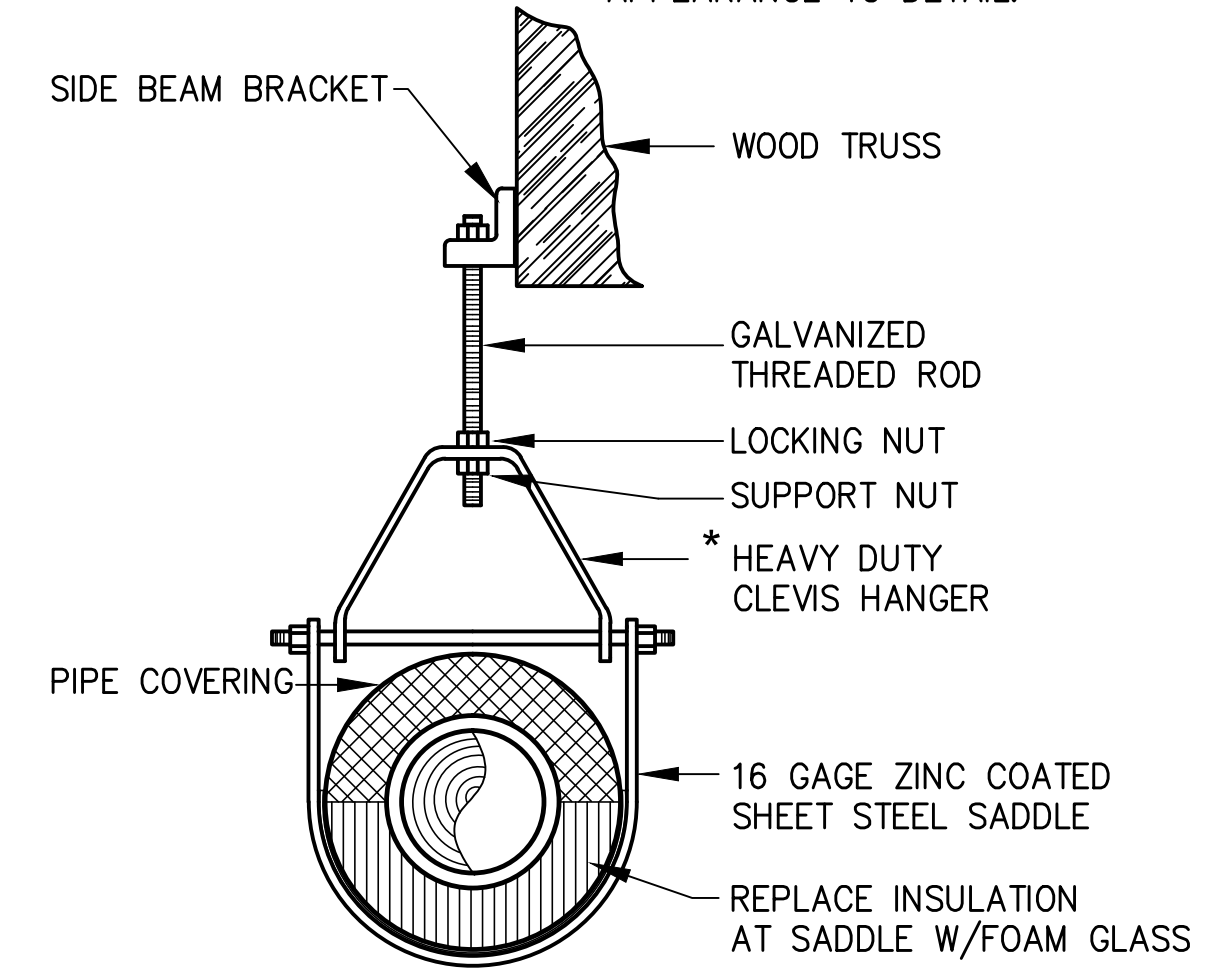
11 DUCTWORK HANGER DETAILS
M-3.1 NTS



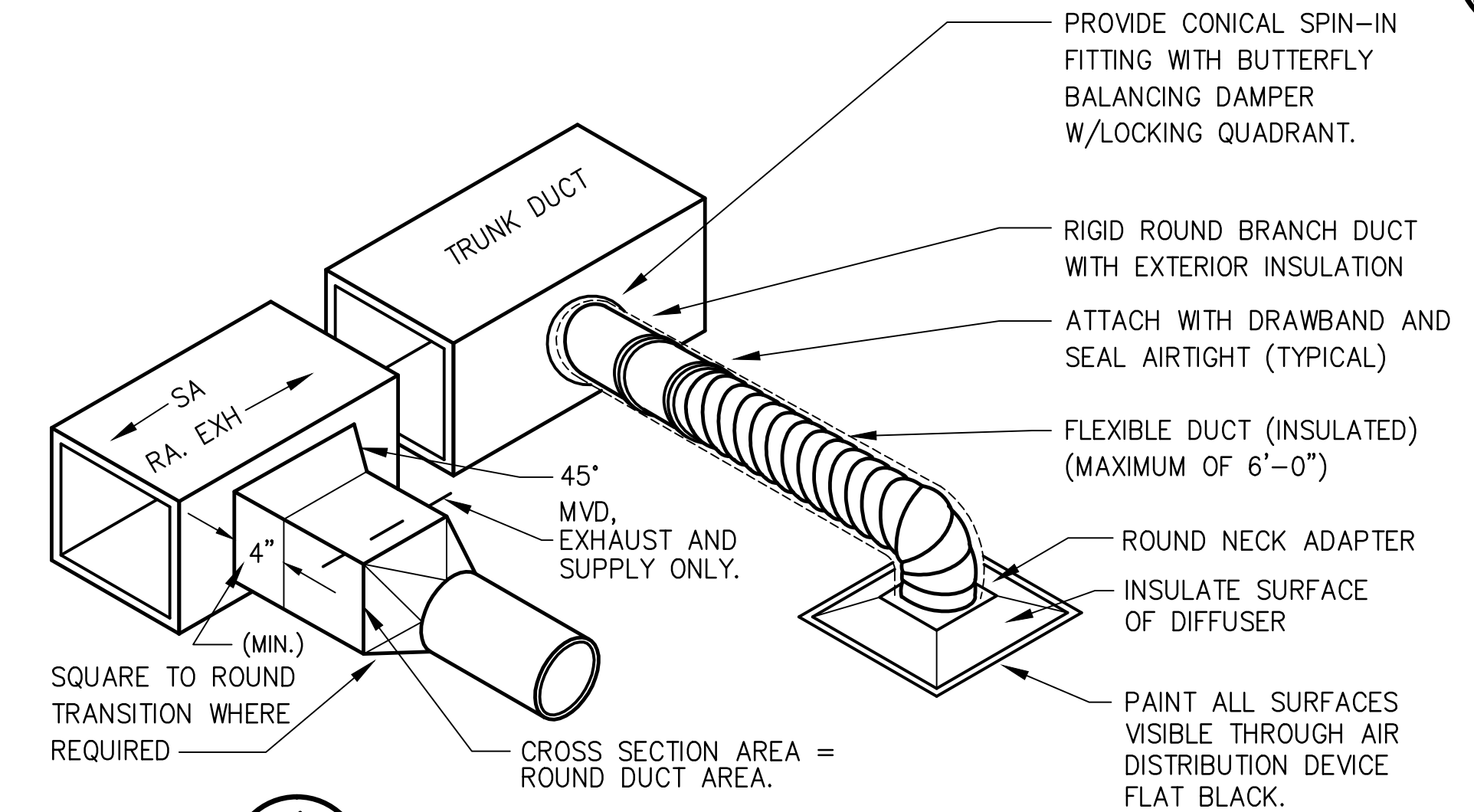
12 CONCENTRIC VENT THRU ROOF DETAIL
M-3.1 NTS



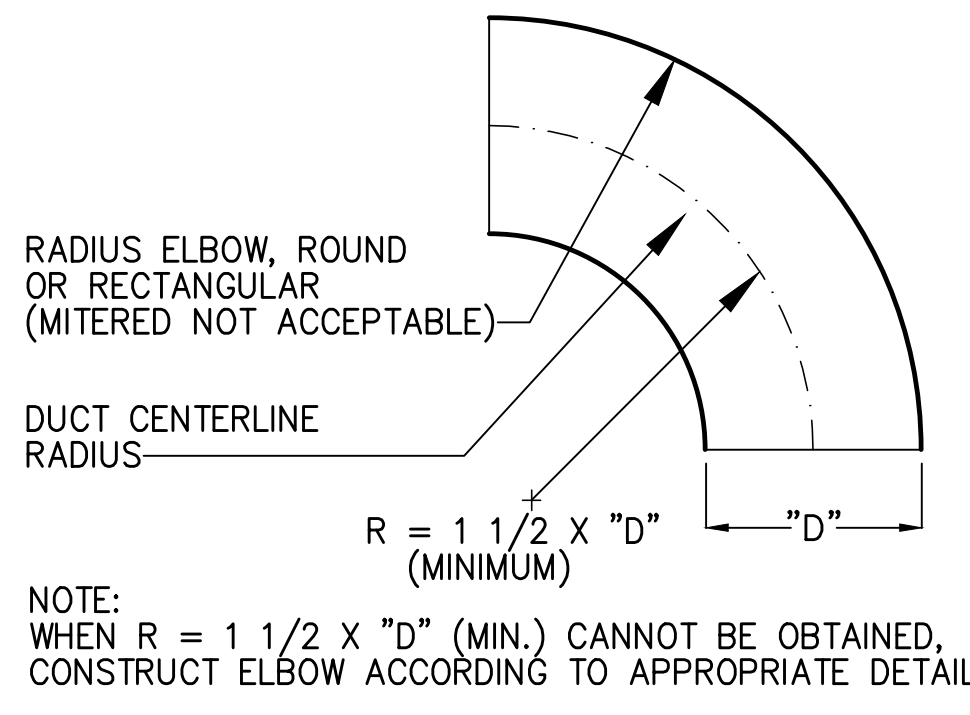
7 LOUVER ATTACHMENT DETAIL
M-3.1 NTS



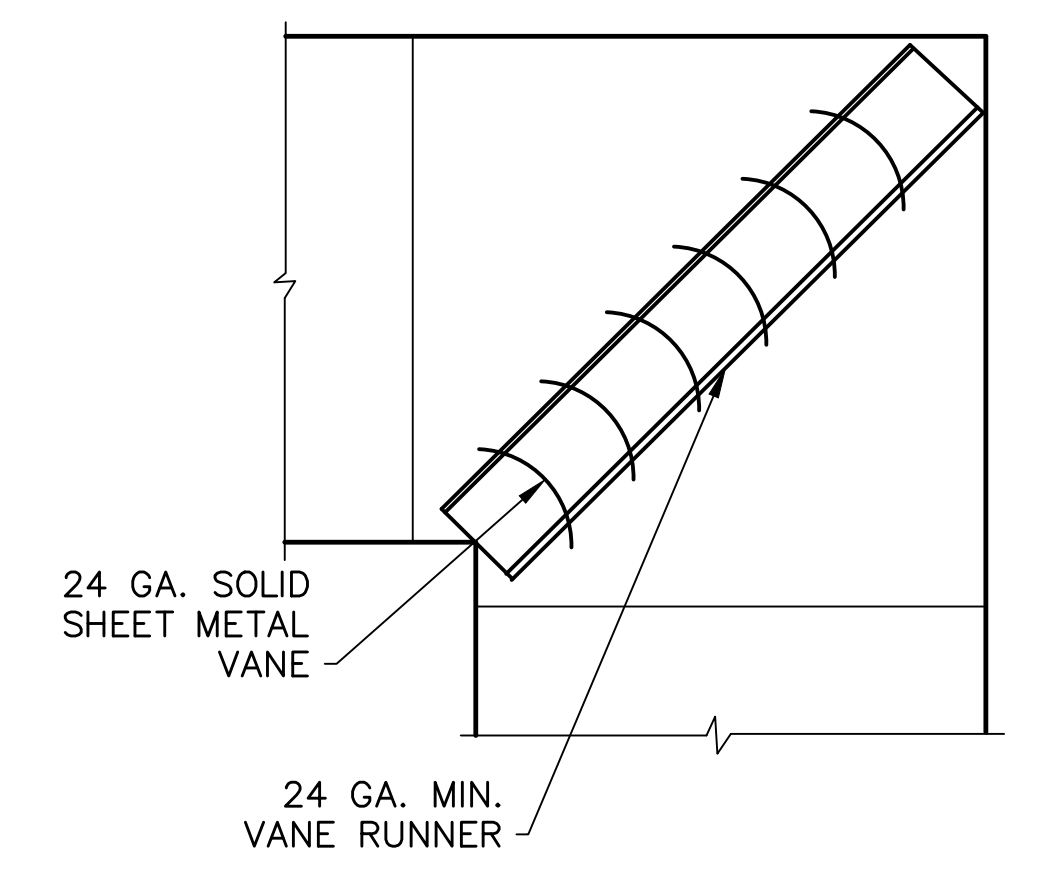
8 PIPE HANGER DETAIL
M-3.1 NTS



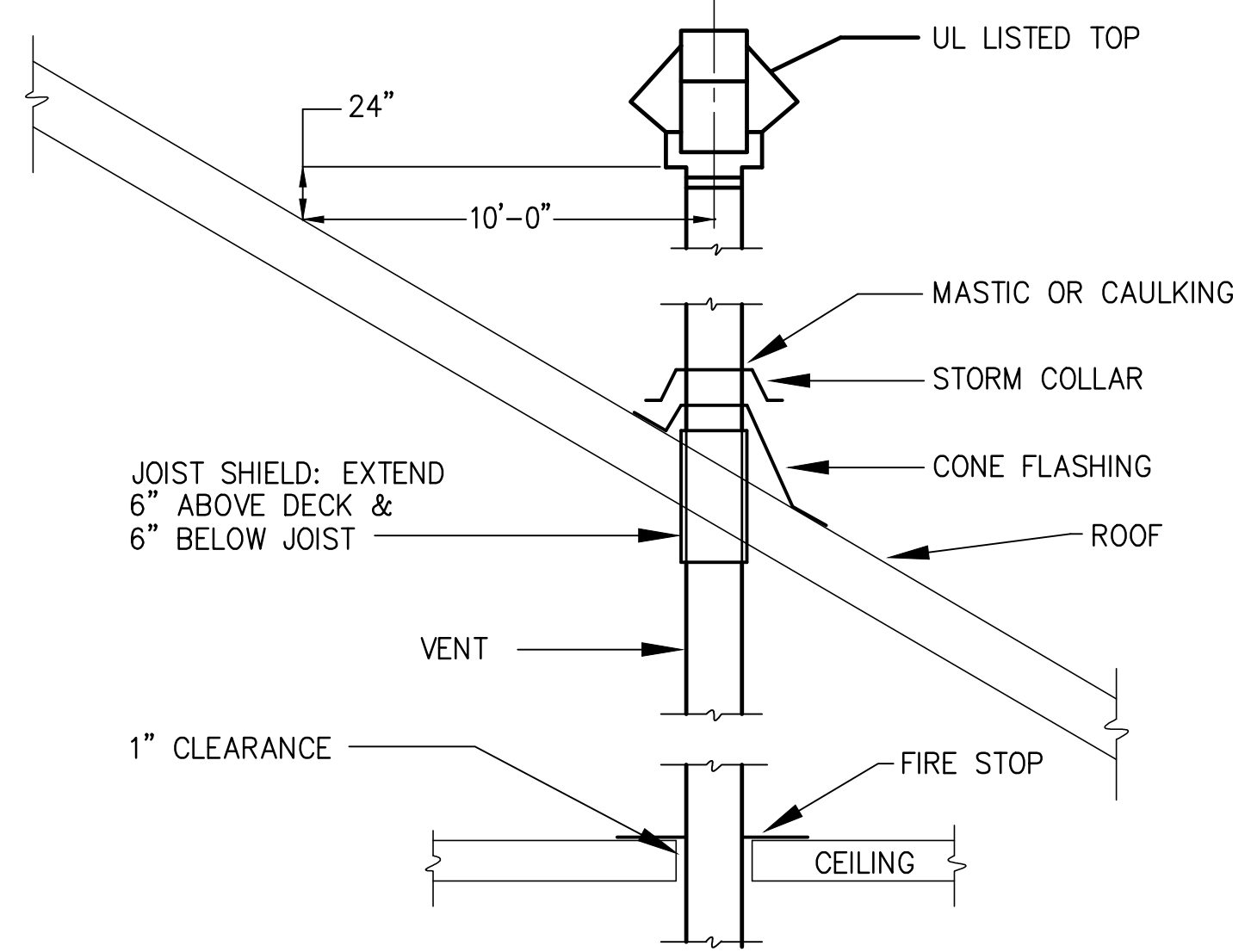
1 DUCT TAKE-OFF DETAIL
M-3.1 NTS



2 RADIUS ELBOW DETAIL
M-3.1 NTS



3 TURNING VANE DETAIL
M-3.1 NTS



4 FLUE THRU PITCHED ROOF DETAIL
M-3.1 NTS

McKNIGHT-SMITH
WARD • GRIFFIN
ENGINEERS, INCORPORATED
1300 South Mint Street, Suite 300, Charlotte, NC 28203
Phone: 704-373-0902 • Fax: 704-373-1900
Email: esd@esdarch.com

ESD
architecture • interior design

PROFESSIONAL ENGINEER
No. 17250
J. CRAIG CHAMBERS
10-7-14

SOUTHEASTERN EMS
NEW SOUTHEASTERN EMS
FOR RUTHERFORD COUNTY

ISSUE DATE: 10-7-14
REVISION 1: _____
REVISION 2: _____
REVISION 3: _____
REVISION 4: _____
PROJECT #: 14-190-000
CONTENT: _____

PROJECT ENGINEER: JCC
DRAWN BY: MSB
CADD FILE NAME: _____

THIS DRAWING AND THE DESIGN SHOWN ARE THE PROPERTY OF ESD. THE REPRODUCTION, OR USE OF THIS DRAWING WITHOUT THE WRITTEN CONSENT IS PROHIBITED. ANY INFRINGEMENT IS SUBJECT TO LEGAL ACTION.

Sheet
M-3.1